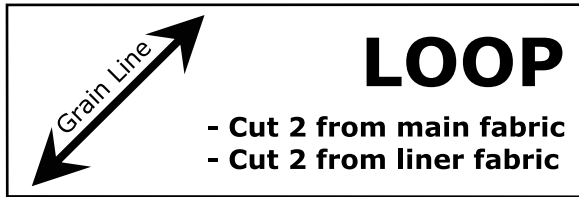
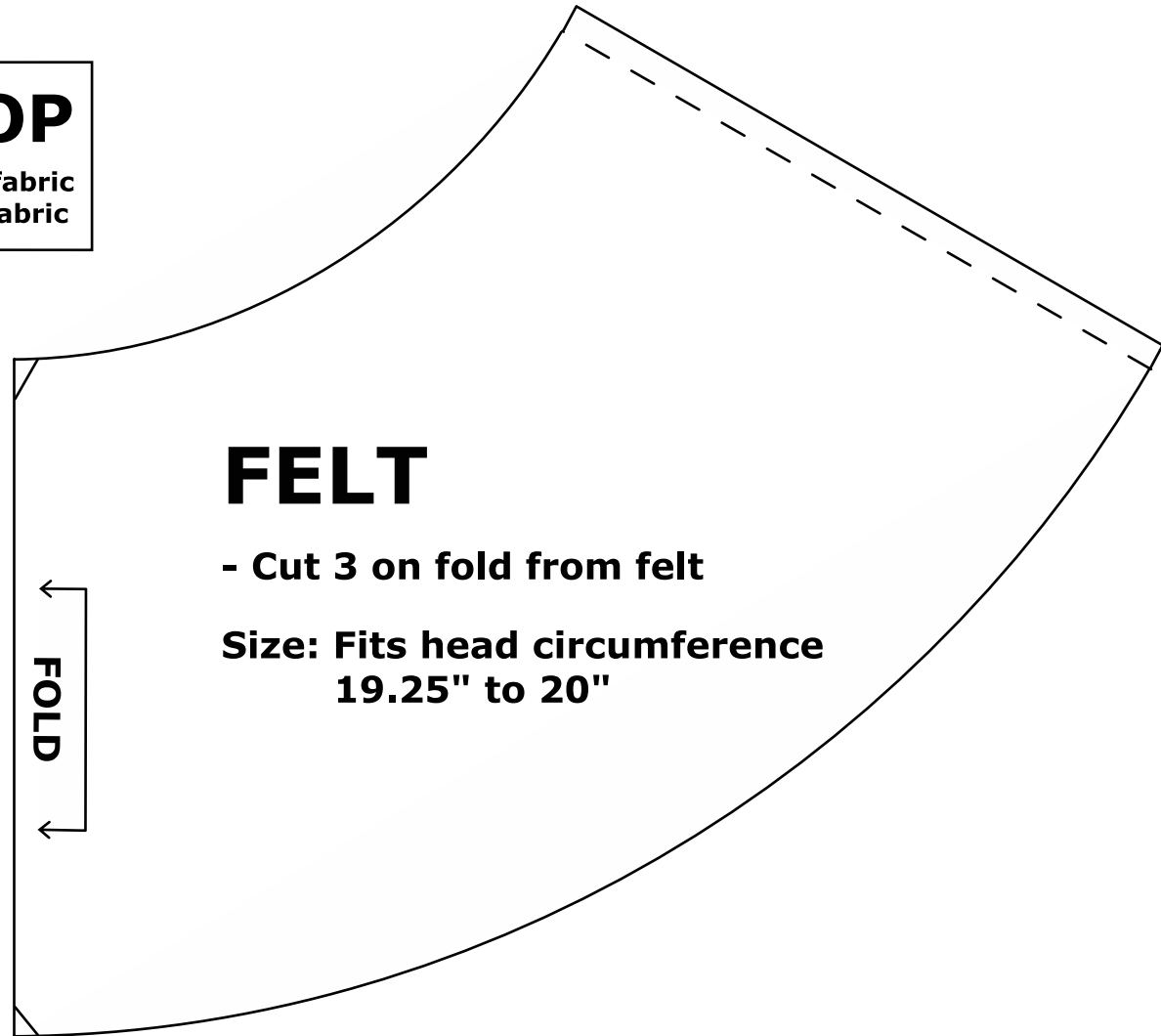
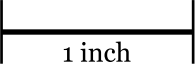


Grain Line 

LOOP

- Cut 2 from main fabric
- Cut 2 from liner fabric




1 inch
when printed
at correct scale